



KINLIGHTS



**SL38 JL Series**

LED Street Light



## LED Street Light SL38-JL Series

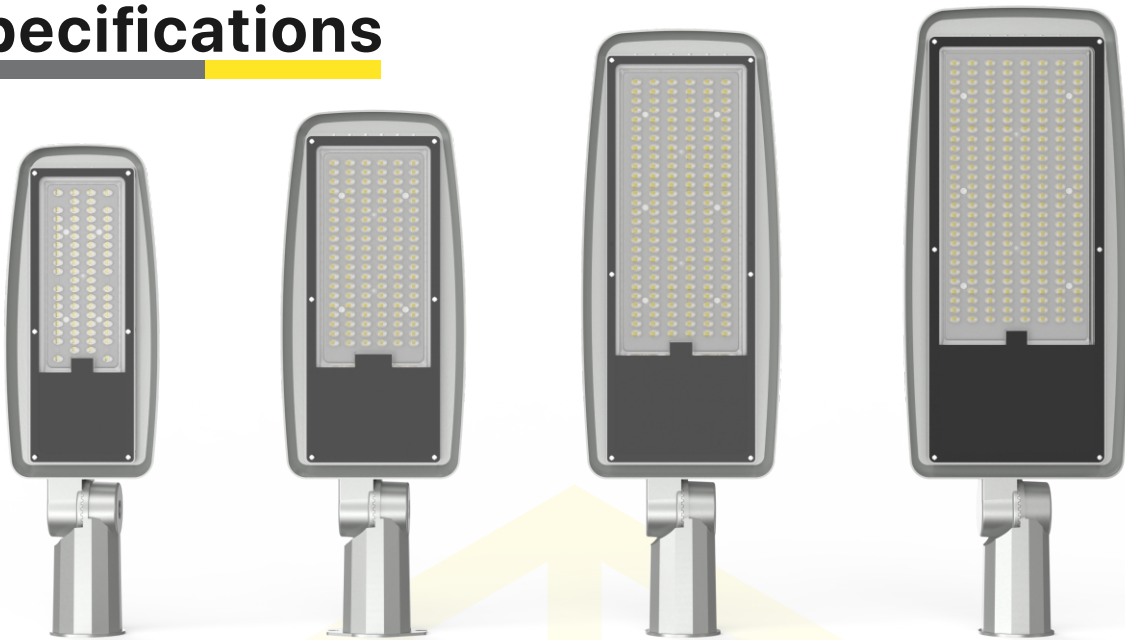


## Features

KINLIGHTS new street light is a lamp designed with the concept of easy installation and energy saving. Product quality is reliable. IP66 waterproof die-cast aluminum lamp body and UV-proof optical lens cover design, excellent light efficiency, long life, can be used in harsh weather conditions such as rain and snow, improve the stability and durability of outdoor lighting.

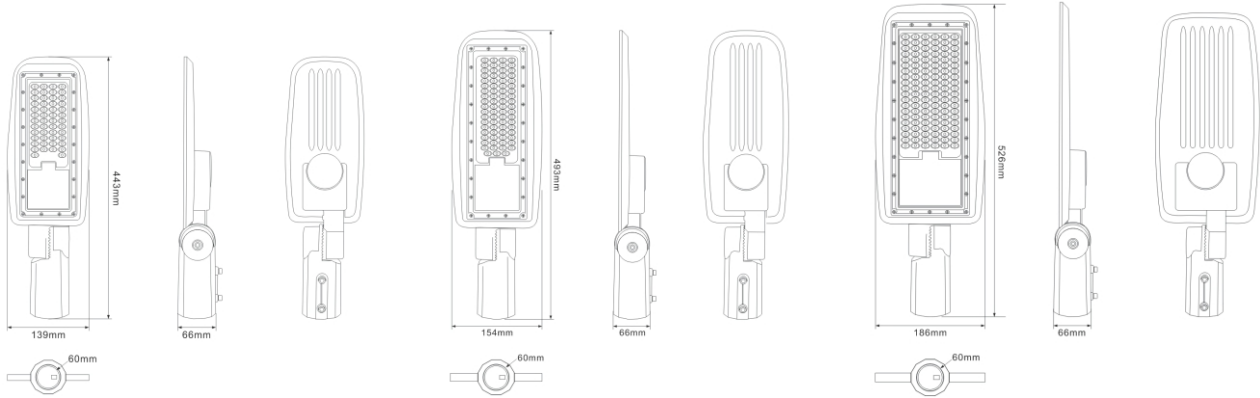
- AC100-277V 50/60Hz universal voltage, PF>0.95.
- Light Efficacy up to 160lm/W.
- High lumen SMD 3030 light source ,LM-80 Reports and ies files are complete.
- TDie-cast aluminum lamp body, anti-corrosion painting.
- IP66 waterproof for outdoor use.

# Specifications



ELECTRICAL PARAMETERS							
Model	SL38-JL-30W	SL38-JL-50W	SL38-JL-70W	SL38-JL-100W	SL38-JL-120W	SL38-JL-150W	SL38-JL-200W
Power	30W	50W	70W	100W	120W	150W	200W
Input Voltage	AC100-277V · 50/60Hz						
Driver	KINLIGHTS						
LED Chip	SMD 3030						
CRI	Ra>70						
CCT	4000K/5000K/6500K						
Beam Angle	70°x140°/160°x114°/163°x110°/160°x106°						
Luminous Efficiency	130Lm/W-160Lm/W						
Luminous Flux	3900Lm	6500Lm	9100Lm	13000Lm	15600Lm	19500Lm	26000Lm
BASIC PARAMETERS							
Degree of protection	IP66&IK08						
Environment Temperature	-25°C~+45°C						
Housing Color	GREY						
Body Material	ADC12 die-cast aluminum						
Protective Cover	UV-proof optical lens						
Warranty	3Years						

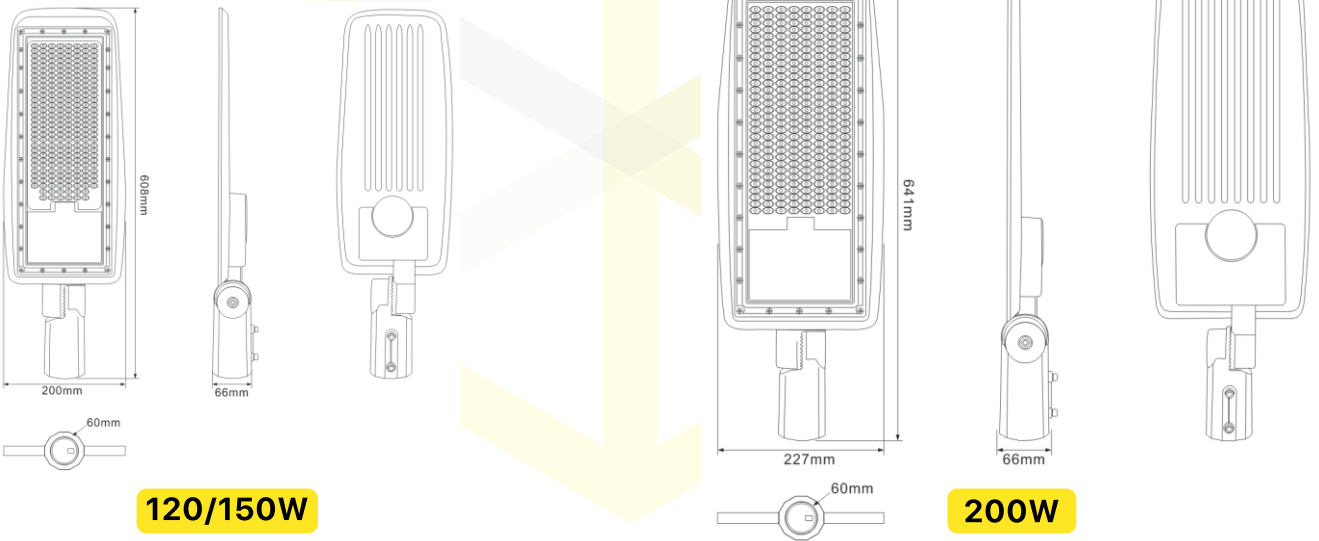
# Dimensions unit:mm



**30W**

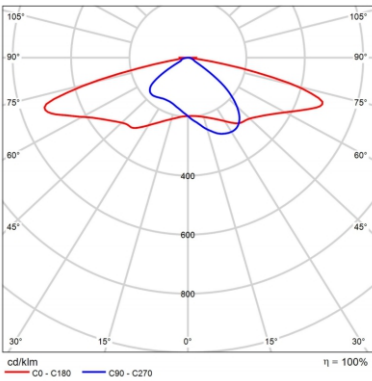
**50W**

**70/100W**

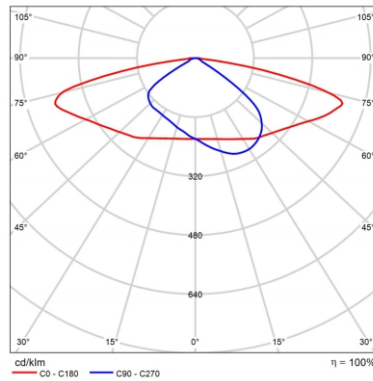


**120/150W**

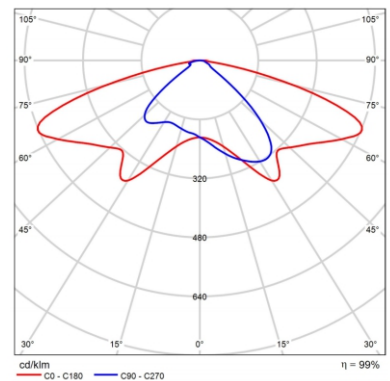
**200W**



**160°\*114°**



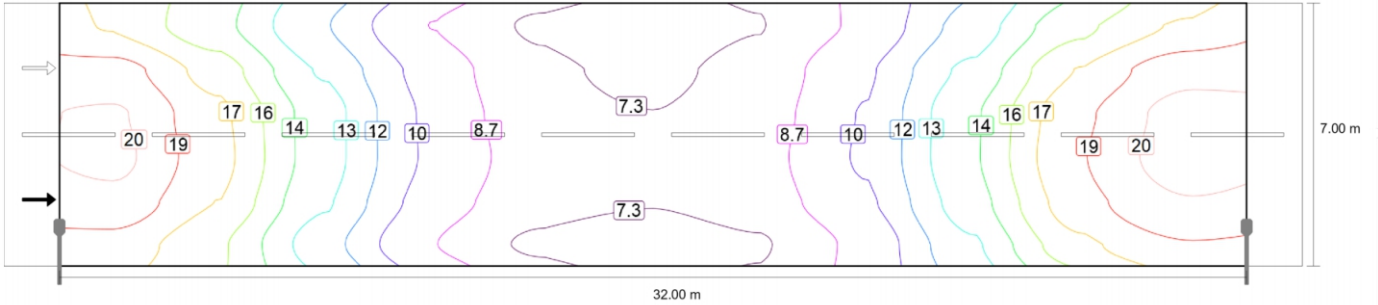
**163°\*110°**



**160°\*106°**



# Light Distribution



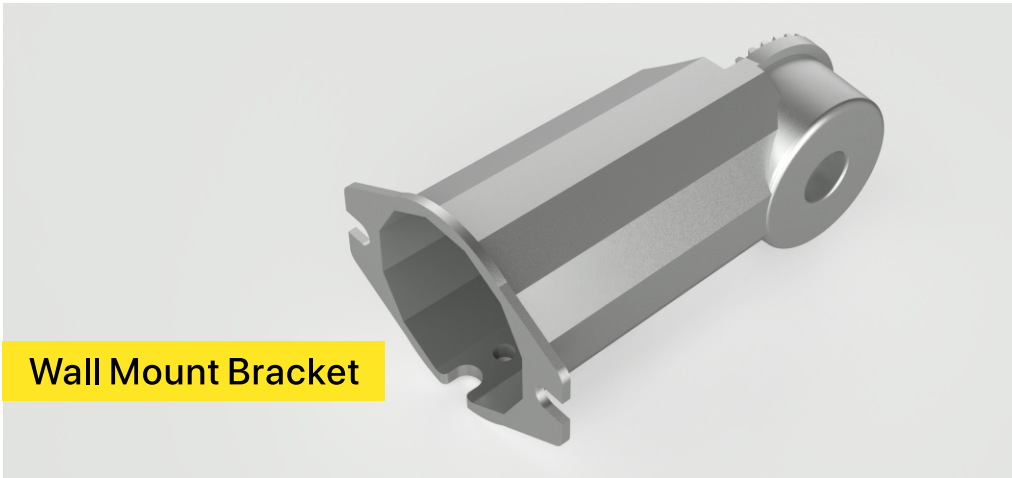
m	1.455	4.364	7.273	10.182	13.091	16.000	18.909	21.818	24.727	27.636	30.545	
	6.417	17.04	14.78	11.56	8.67	7.12	6.70	7.26	8.95	12.10	15.40	17.36
	5.250	19.09	16.51	12.74	9.60	7.62	7.03	7.77	9.92	13.28	17.22	19.51
	4.083	20.09	17.48	13.59	9.86	7.90	7.33	8.03	10.19	14.16	18.22	20.52
	2.917	20.27	17.63	13.59	9.91	8.12	7.62	8.24	10.26	14.20	18.48	20.65
	1.750	19.48	17.12	13.08	9.53	7.85	7.38	7.97	9.89	13.70	17.98	19.85
	0.583	18.01	15.94	12.11	8.72	7.07	6.61	7.17	9.05	12.71	16.76	18.40

Maintenance value for horizontal illuminance street lights [lx] (point illuminance value)

	Average illumination	Minimum illumination	Maximum illumination	U <sub>0</sub> (G <sub>1</sub> )	G <sub>2</sub>
Maintenance values for horizontal illuminance street lights	12.7 LX	6.61 LX	20.7 LX	0.52	0.32



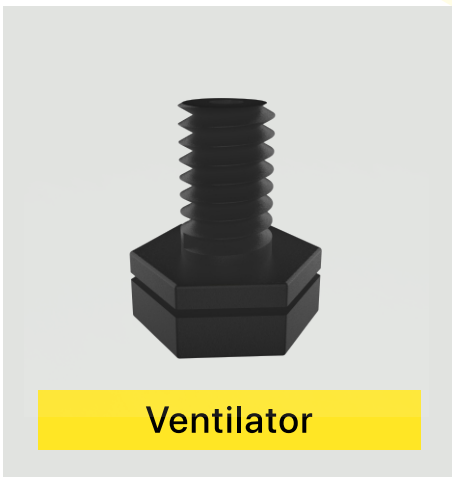
# Accessories



Wall Mount Bracket



SPIRIT LEVELS



Ventilator



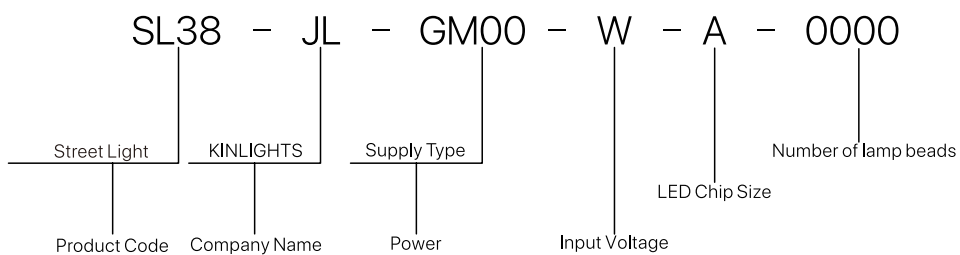
Glass optional

# Packing information

Regular(No Nema socket)				
Power	Inner Box Size(mm)	Outer Box Size(mm)	Qty/Ctn	G.W(KG)
30W	14.5*9.5*45.5	50*47*31	10PCS/CTN	10.8
50W	16*9.5*50.5	52*50*34	10PCS/CTN	12.9
70W/100W	19*9.5*54	55.5*50*40	10PCS/CTN	17.6
120W/150W	20.5*9.5*64.5	66*50*22.5	5PCS/CTN	11.5
200W	23.2*9.5*64.5	66*50*25	5PCS/CTN	14.0



# Product Naming Rules



# Application Scenario



# Warranty Statement



## Three-YEAR WARRANTY CHARGE DETAILS

Size	Order Time		
	<1Y	1~2Y	2~3Y
<16*14*8inch	Free exchange	\$20	\$20+SP*10%
>16*14*8inch		\$40	\$40+SP*10%

Remarks: 1.M:month; Y:year; 2.SP:the price you ordered the light; 3.Size:Product packaging size.

NOTE: The invoice and some photos or videos that can illustrate the light error is needed when ask for warranty things.



# Warning

## ATTENTION

### BEFORE YOU INSTALL

Read these instructions completely and carefully.

#### ▲WARNING/AVERTISSEMENT

##### RISK OF ELECTRIC SHOCK

- Turn power off before inspection, installation or removal. Properly ground electrical enclosure.
- Follow all NEC and local codes.
- Use only UL or IEC approved wire for input/output connections.

## Prepare Electrical Wiring

### Electrical Requirements



The LED driver must be supplied with 100-277VAC, 50/60 Hz per product label and connected to an individual properly grounded branch circuit, protected by a 15 or 20 ampere circuit breaker.

### Save These Instructions

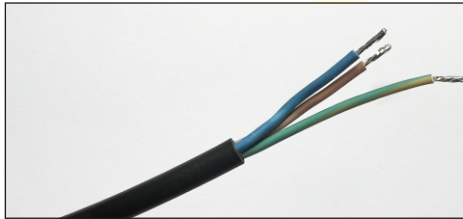
Use only in the manner intended by the manufacturer. If you have any questions, contact the manufacturer.

### Grounding Instructions



The grounding and bonding of the overall system shall be done in accordance with National Electric Code (NEC) Article 600 and local codes.

Note: This equipment has been tested and found to comply with the limits for a Class A digital device, pursuant to part 15 of the FCC Rules. These limits are designed to provide reasonable protection against harmful interference when the equipment is operated in a commercial environment. This equipment generates, uses, and can radiate radio frequency energy and, if not installed and used in accordance with the instruction manual, may cause harmful interference to radio communications. Operation of this equipment in a residential area is likely to cause harmful interference in which case the user will be required to correct the interference at his own expense.



\*Please connect the input wire in correct way, white is ACN, black is ACL, green/yellow is GROUND connection.

\*Please also make sure the wire connection is fixed perfectly before using.

### Announcements:

1. This equipment is only for professional installation. Non-professional personnel shall not remove or install the equipment.
2. Please read the instruction manual before installation and keep it for future reference.
3. To avoid damage, falling, electric shock or fire, please do not modify the lamp or replace accessories without confirming with the supplier.
4. Maintenance/Installation and replacement the lamps, please confirm to cut off the power supply, and the lampshade set up a cooling. Please make sure the lamps properly installed before processing power.
5. Ensure the accurate and reliable connection.
6. Ensure that the product around the vent, the lamp cannot violate any fire prevention regulations when using.