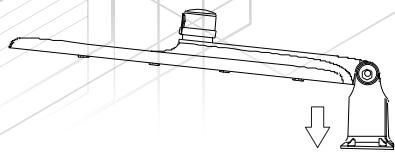


# INSTALLATION INSTRUCTIONS

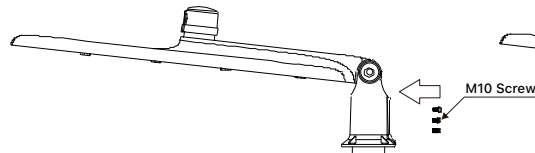


<b>Specification Revision:</b>		
RevA0	Primary Released	Date: 15-Sep-2023
RevA1 or B0	Updated Notes	Date:
Approved By	Verified By	Drafted By
Mike Lee	Lista Lee	Tyler Hou

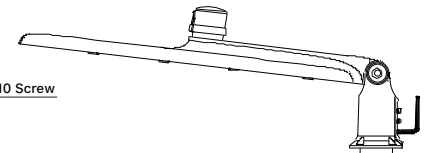
## 1. Straight rod mounting



1. Luminaire Sleeve Bracket over Lamp Pole

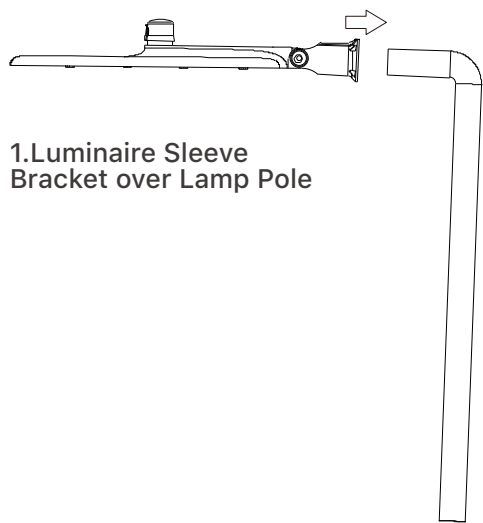


2. Tighten the combination screw in the socket screw hole

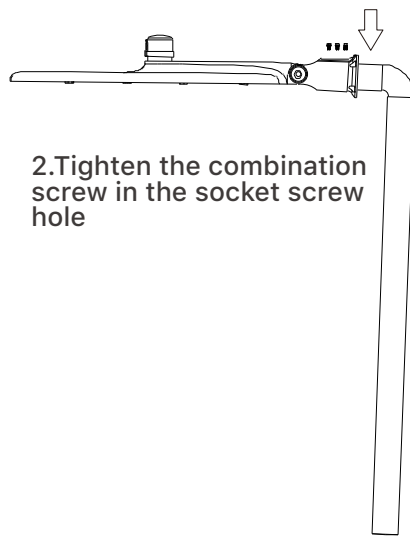


3. Tighten the screws with a tool

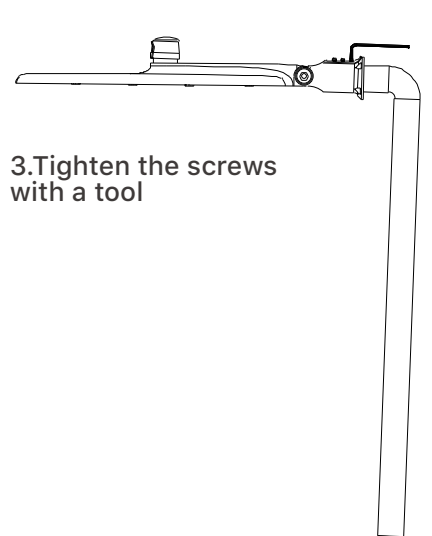
## 2. L-Pole Installation



1. Luminaire Sleeve Bracket over Lamp Pole

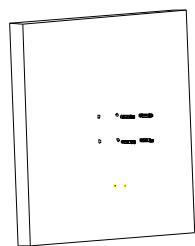


2. Tighten the combination screw in the socket screw hole

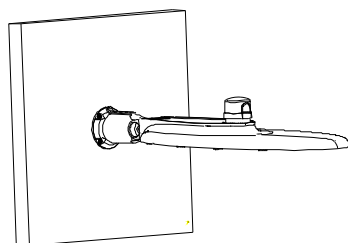


3. Tighten the screws with a tool

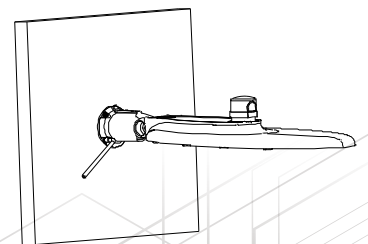
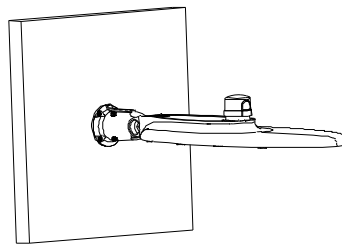
## 3. Wall Mount



1. Installation of expansion screws in the wall at the location



2. Attach the fixture sleeve bracket screw holes to the expansion screws.



3. Torque the nuts on the expansion screws

## ATTENTION

### BEFORE YOU INSTALL

Read these instructions completely and carefully.

### ▲WARNING/AVERTISSEMENT

#### RISK OF ELECTRIC SHOCK

- Turn power off before inspection, installation or removal. Properly ground electrical enclosure.
- Follow all NEC and local codes.
- Use only UL or IEC approved wire for input/output connections.

## Prepare Electrical Wiring



### Electrical Requirements

The LED driver must be supplied with 100-277VAC, 50/60 Hz per product label and connected to an individual properly grounded branch circuit, protected by a 15 or 20 ampere circuit breaker.



### Grounding Instructions

The grounding and bonding of the overall system shall be done in accordance with National Electric Code (NEC) Article 600 and local codes.

### Save These Instructions

Use only in the manner intended by the manufacturer.  
If you have any questions, contact the manufacturer.

Note: This equipment has been tested and found to comply with the limits for a Class A digital device, pursuant to part 15 of the FCC Rules. These limits are designed to provide reasonable protection against harmful interference when the equipment is operated in a commercial environment. This equipment generates, uses, and can radiate radio frequency energy and, if not installed and used in accordance with the instruction manual, may cause harmful interference to radio communications. Operation of this equipment in a residential area is likely to cause harmful interference in which case the user will be required to correct the interference at his own expense.



- \*Please connect the input wire in correct way, white is ACN, black is ACL, green/yellow is GROUND connection.
- \*Please also make sure the wire connection is fixed perfectly before using.

### Announcements:

1. This equipment is only for professional installation. Non-professional personnel shall not remove or install the equipment.
2. Please read the instruction manual before installation and keep it for future reference.
3. To avoid damage, falling, electric shock or fire, please do not modify the lamp or replace accessories without confirming with the supplier.
4. Maintenance/installation and replacement the lamps, please confirm to cut off the power supply, and the lampshade set up a cooling. Please make sure the lamps properly installed before processing power.
5. Ensure the accurate and reliable connection.
6. Ensure that the product around the vent, the lamp cannot violate any fire prevention regulations when using.