

TECHNICAL SPECIFICATION



Specification Revision:		
RevA0	Primary Released	Date: 15-Sep-2023
RevA1 or B0	Updated Notes	Date:
Approved By	Verified By	Drafted By
Mike Lee	Lista Lee	Tyler Hou

Model **SL10-JL-GW**



Electrical Specification

POWER	30W	50W	70W	100W	120W	150W	200W	240W
Driver Brand	PHILIPS							
Input Voltage	100 ~ 277 VAC							
POWER FACTOR	>0.95							
Dimmable	N/A (Option of DALI / 0-10V / PWM)							
Intelligent Control	N/A (Option of Zigbee Wireless)							
SPD	4KV Line-Line, 6KV Line-Earth							
Working Temperature	-40°C - 70°C							

Photometrical Specification

Luminous Efficacy	160Lm/W							
LED CHIP	PHILIPS 2835							
Color Temperature	Option of 4000K / 5000K/ 5700K							
Color Rendering Index	>80							
Beam Angle	Type II (m) Options of Type I (m)							
THD	<20%							

Mechanical Specification

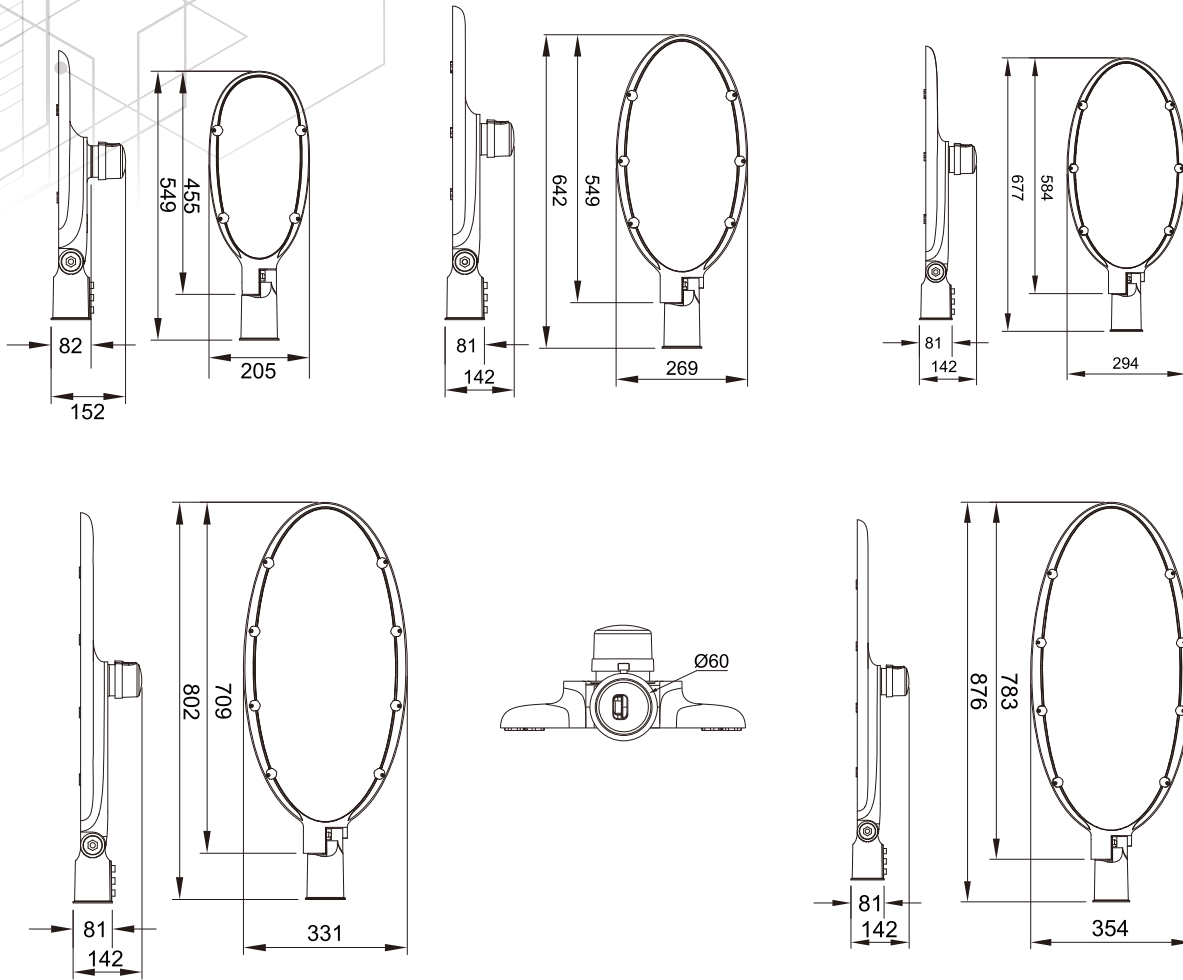
Body Material	Die Cast Aluminium Housing							
Housing Color	Black							
Mounting Type	Wall / Pole							
Mounting Location	40-60mm							
Cable Length	300mm (input)							

Standards & Certificates

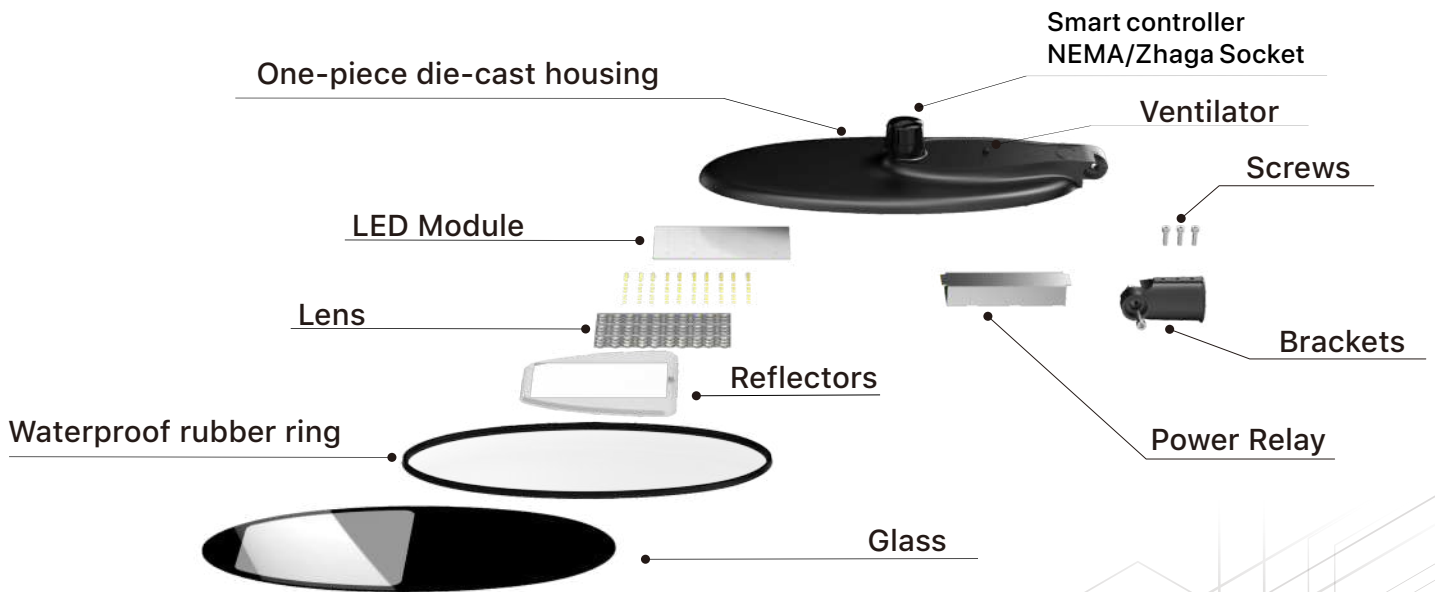
Ingress Protection	IP67							
IK	IK08							
Certificates	CE, ROHS							
Warranty	5 Years							

Dimension & Weight

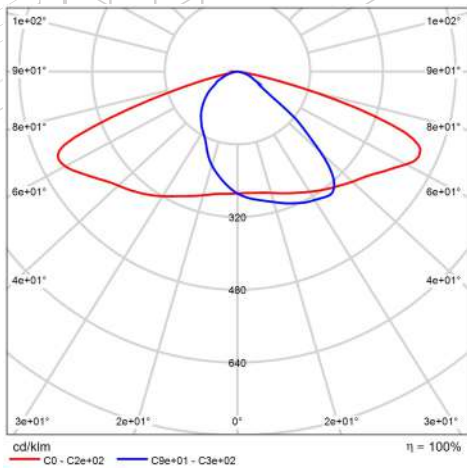
Fixture Dimension (mm)	549*205*82	642*269*82	677*294*82	802*331*82	876*354*82
Fixture Weight (kg)	9.16	9.8	13.1	/	/
Packing	2	2	2	2	
Carton Dimension(mm)	695*22*325	710*225*330	860*225*385	860*380*150	860*380*150
Gross Weight (Kg)	10.43	11.1	14.45	/	/



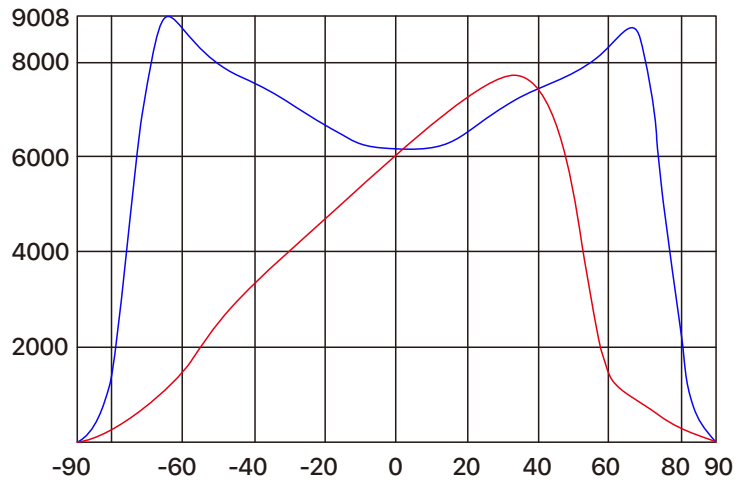
Structure Diagrams



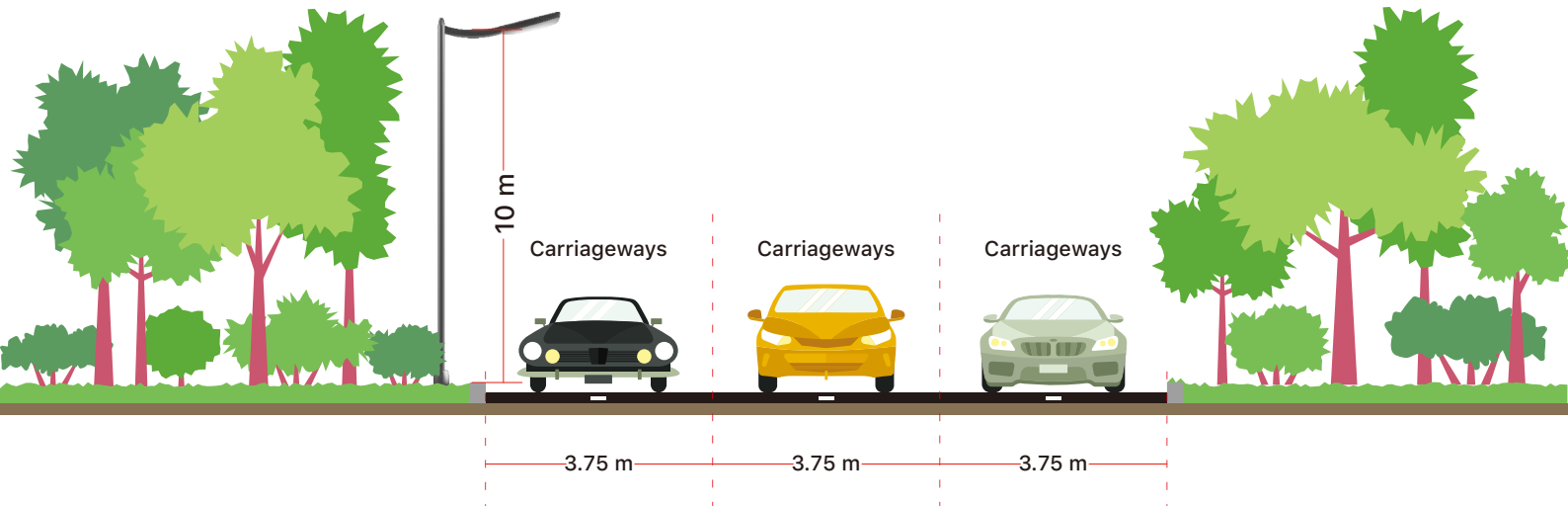
Polar Candela Distribution Plot



Rectangular Candela Distribution Plot



Typell-m



Road Width: 11.25m, Mounting Height: 10m, Pole Distance: 30m, PD:MH=1:3, TYPE II-M, Street light: 100w, Luminire Efficacy: 150 lm/w, Luminire Flux: 15000 lm									
E avg (lx)	20.9	E min (lx)	12.6	E max (lx)	32	U ₀ ≥0.4	0.46	U _I ≥0.7	0.83
Road Width: 11.25m, Mounting Height: 10m, Pole Distance: 30m, PD:MH=1:3, TYPE II-M, Street light: 100w, Luminire Efficacy: 160 lm/w, Luminire Flux: 16000 lm									
E avg (lx)	22.3	E min (lx)	13.5	E max (lx)	34.1	U ₀ ≥0.4	0.46	U _I ≥0.7	0.83
Road Width: 11.25m, Mounting Height: 10m, Pole Distance: 30m, PD:MH=1:3, TYPE II-M, Street light: 100w, Luminire Efficacy: 170 lm/w, Luminire Flux: 17000 lm									
E avg (lx)	23.7	E min (lx)	14.3	E max (lx)	36.3	U ₀ ≥0.4	0.46	U _I ≥0.7	0.83
Road Width: 11.25m, Mounting Height: 10m, Pole Distance: 30m, PD:MH=1:3, TYPE II-M, Street light: 100w, Luminire Efficacy: 180 lm/w, Luminire Flux: 18000 lm									
E avg (lx)	25.1	E min (lx)	15.2	E max (lx)	38.4	U ₀ ≥0.4	0.46	U _I ≥0.7	0.83

