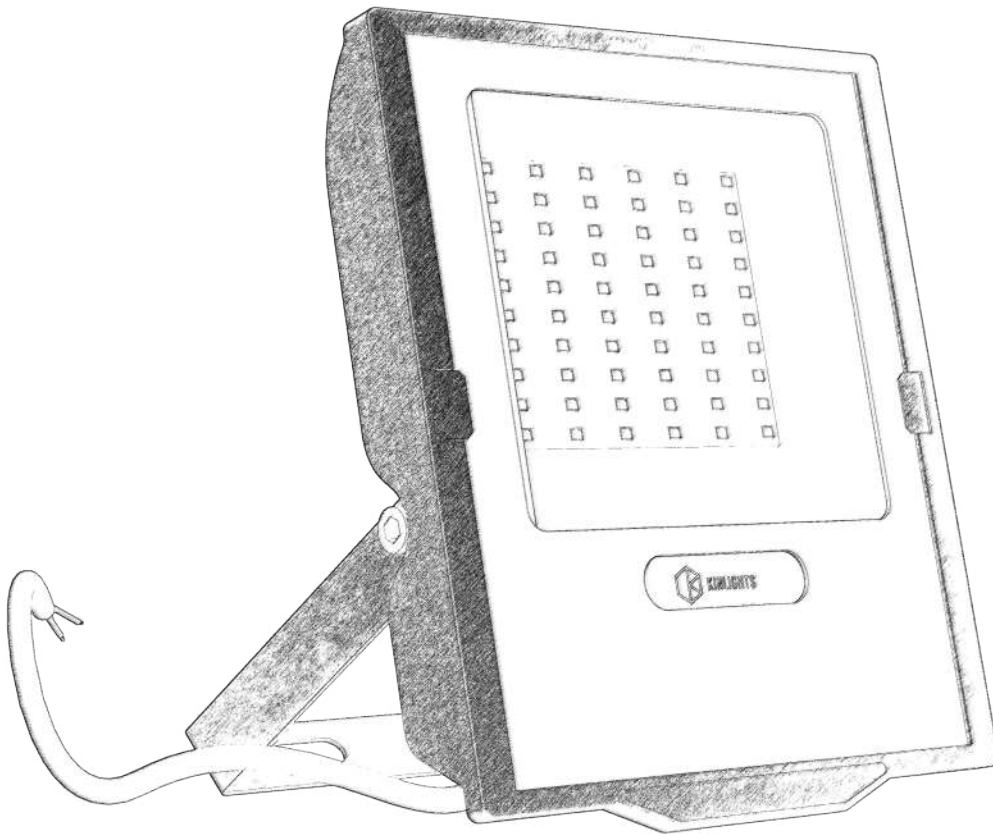


TECHNICAL SPECIFICATION



Specification Revision:		
RevA0	Primary Released	Date: 15-Sep-2023
RevA1 or B0	Updated Notes	Date:
Approved By	Verified By	Drafted By
Mike Lee	Lista Lee	Tyler Hou

Model	FL-GP02-50W	FL-GP02-100W	FL-GP02-150W	FL-GP02-200W
				

Electrical Specification

POWER	50W	100W	150W	200W
Driver Brand	CRYSTAL			
Input Voltage	100 ~ 240 VAC			
POWER FACTOR	>0.92			
Dimmable	N/A			
Intelligent Control	N/A			
SPD	4KV Line-Line, 6KV Line-Earth			
Working Temperature	-40°C - 70°C			
THD	<20%			

Photometrical Specification

Luminous Efficacy	120Lm/W			
LED CHIP	SANAN			
Color Temperature	Option of 3000K / 4000K / 6500K			
Color Rendering Index	>80			
Beam Angle	110°			

Mechanical Specification

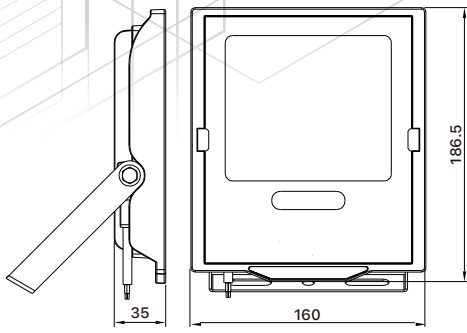
Body Material	Die Cast Aluminium Housing			
Housing Color	Black / Silver			
Mounting Type	Bracket			
Mounting Location	Wall / Ceiling			
Cable Length	350mm (input)			

Standards & Certificates

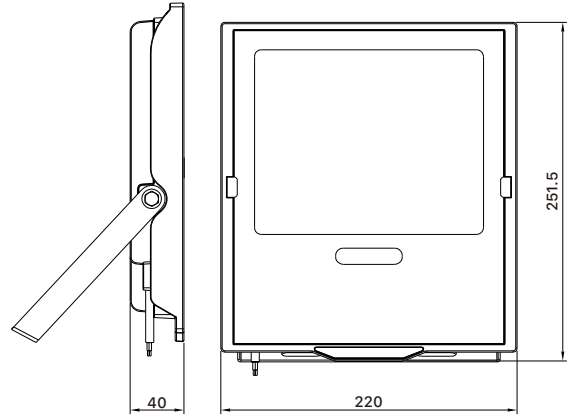
Ingress Protection	IP65			
IK	IK08			
Luminaire Type	Class I			
Certificates	CE, ROHS			
Warranty	5 Years (Option of 2 Years / 3 Years)			

Dimension & Weight

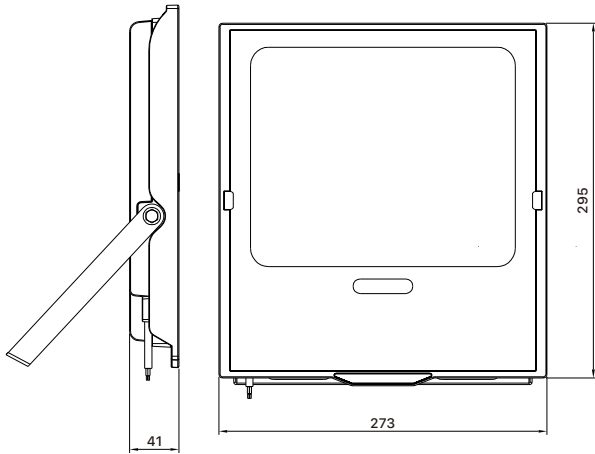
Fixture Dimension (mm)	186.5*160*35	251.5*250*40	304*273*41	366.5*320*41
Fixture Weight (kg)	13.6	7.92	12.48	19.08
Packing	20	6	6	6
Carton Dimension(mm)	430*390*350	475*265*300	475*320*347	475*365*425
Gross Weight (Kg)	16.88	10.24	15.5	21.84



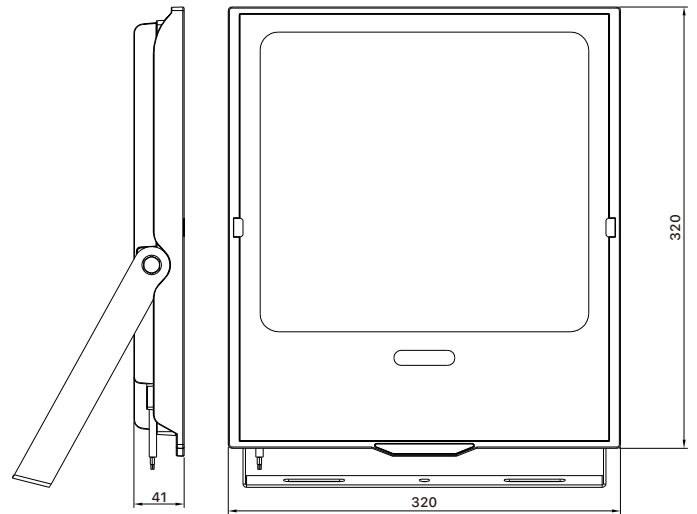
50W



100W

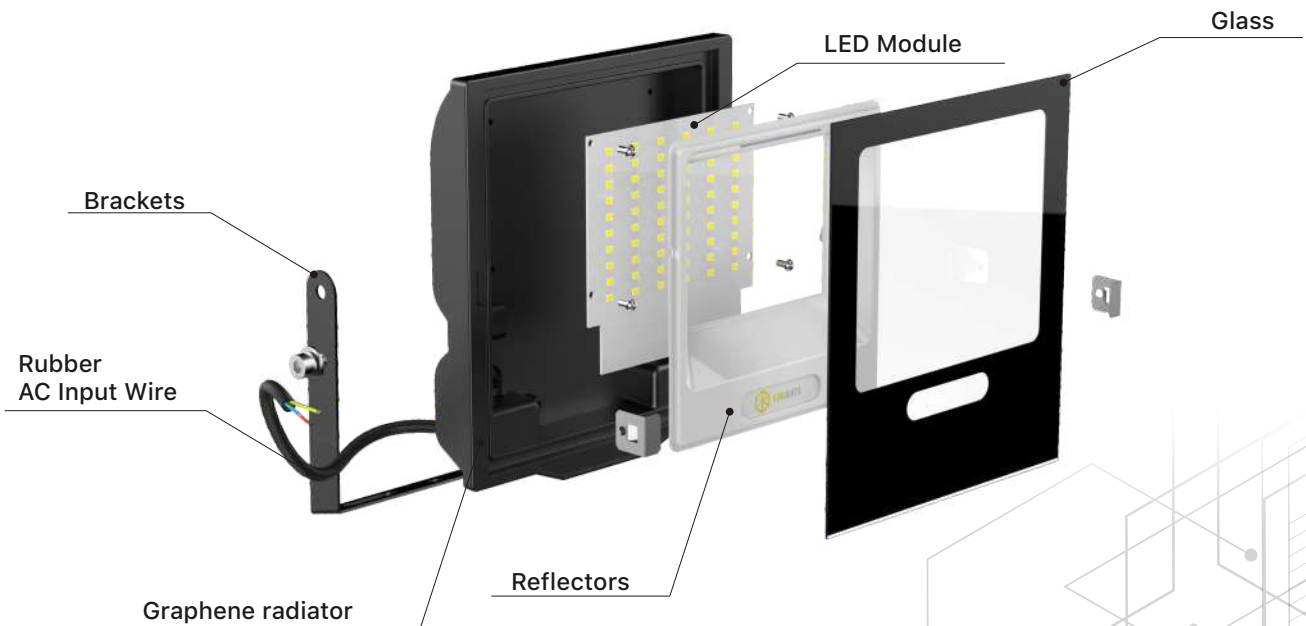


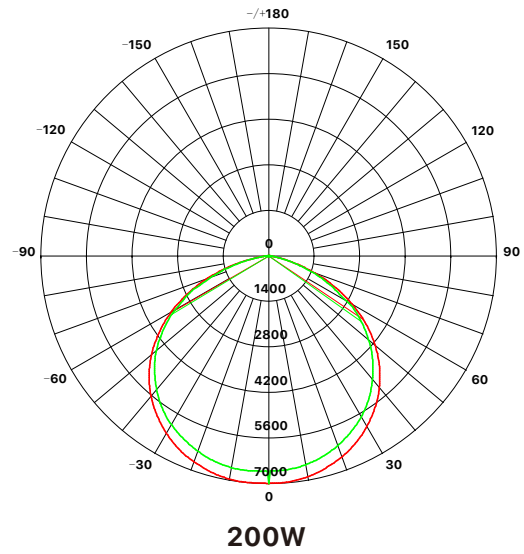
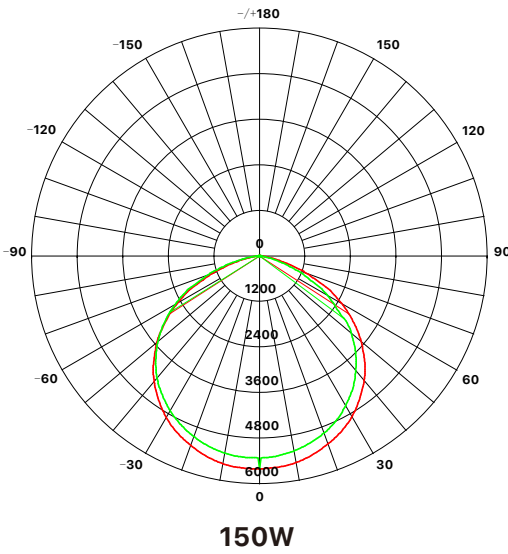
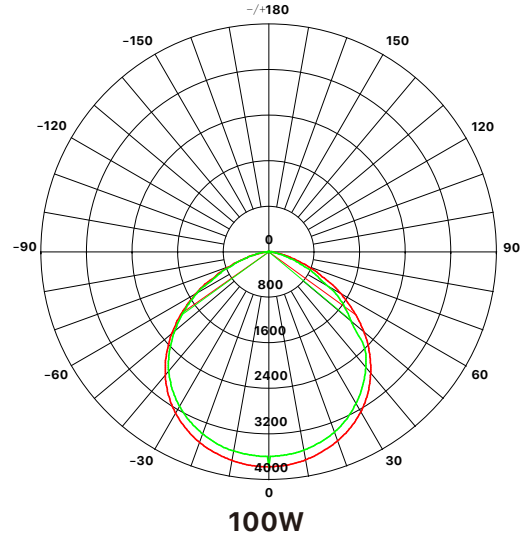
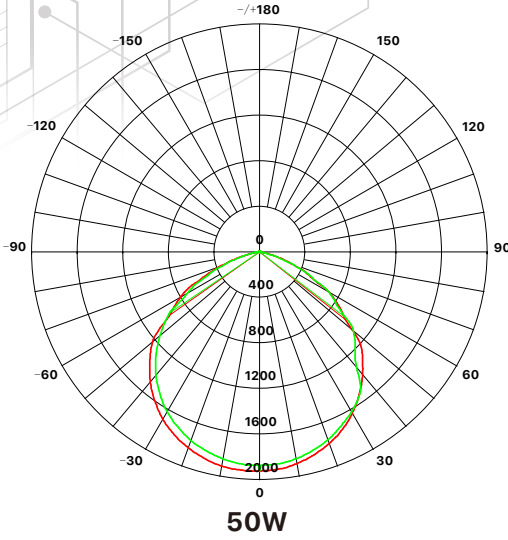
150W



200W

Structure Diagrams





Luminous Efficacy 120Lm/W

Flux out: 5782 lm

Height	Evlg,Emax	Angle:106.63deg	Diameter
1m	696.4,1923lx		268.47cm
2m	188.6,480.9lx		636.94cm
3m	70.60,213.7lx		905.41cm
4m	38.71,120.2lx		1073.87cm
5m	25.42,76.94lx		1342.34cm
6m	17.66,63.43lx		1610.81cm
7m	12.97,39.26lx		1879.28cm
8m	9.228,30.06lx		2147.76cm
9m	7.844,23.76lx		2416.22cm
10m	6.364,19.23lx		2684.69cm

50W

Flux out: 7093 lm

Height	Evlg,Emax	Angle:104.04deg	Diameter
1m	1271.877lx		266.18cm
2m	317.9,942.8lx		612.36cm
3m	141.2,419.0lx		768.68cm
4m	79.46,235.7lx		1024.70cm
5m	60.85,160.9lx		1280.88cm
6m	38.31,104.8lx		1637.06cm
7m	25.94,76.97lx		1793.23cm
8m	19.86,68.93lx		2049.41cm
9m	15.69,48.66lx		2305.68cm
10m	12.71,37.7lx		2561.78cm

100W

Flux out: 11611 lm

Height	Evlg,Emax	Angle:111.14deg	Diameter
1m	1667.6806lx		291.76cm
2m	416.8,1401lx		683.62cm
3m	186.2,622.8lx		876.29cm
4m	104.2,360.3lx		1167.06cm
5m	66.68,224.2lx		1468.81cm
6m	46.31,166.7lx		1760.67cm
7m	34.02,114.4lx		2042.34cm
8m	28.06,87.88lx		2334.10cm
9m	20.88,69.20lx		2625.86cm
10m	16.67,56.06lx		2917.62cm

150W

Flux out: 14668 lm

Height	Evlg,Emax	Angle:113.50deg	Diameter
1m	1996.8868lx		305.06cm
2m	496.0,1746lx		610.09cm
3m	221.6,776.1lx		915.14cm
4m	124.7,436.6lx		1220.19cm
5m	79.83,279.4lx		1626.23cm
6m	56.44,194.0lx		1830.28cm
7m	40.73,142.6lx		2186.33cm
8m	31.19,106.1lx		2440.37cm
9m	24.64,86.23lx		2745.42cm
10m	19.96,69.86lx		3050.47cm

200W