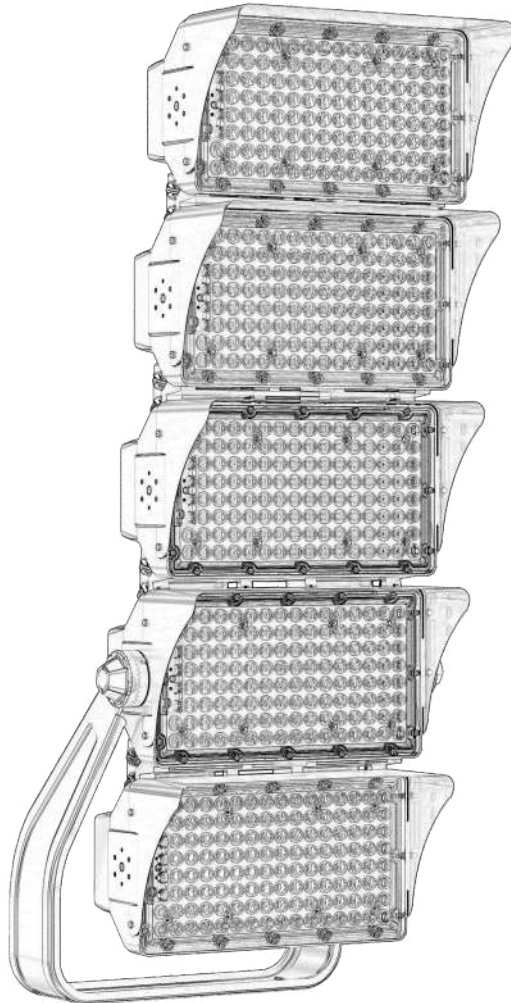


TECHNICAL SPECIFICATION



Specification Revision:		
RevA0	Primary Released	Date: 15-Sep-2023
RevA1 or B0	Updated Notes	Date:
Approved By	Verified By	Drafted By
Mike Lee	Lista Lee	Tyler Hou

Model **FL23L-JL-GW**



Electrical Specification

POWER	250W	500W	750W	1000W	1250W
LED Module QTY	1	2	3	4	5
Driver Brand	MOSO				
Input Voltage	100 ~ 277 VAC				
POWER FACTOR	>0.95				
Dimmable	N/A (Option of DALI / 0-10V / PWM)				
Intelligent Control	N/A (Option of Zigbee Wireless)				
SPD	4KV Line-Line, 6KV Line-Earth				
Working Temperature	-40°C - 70°C				

Photometrical Specification

Luminous Efficacy	160lm/W				
LED CHIP	PHILIPS 2835				
Color Temperature	Option of 4000K / 5000K / 5700K				
Color Rendering Index	>80				
Beam Angle	Options of 8°/30° / 60° / 90° / P60°				
THD	<20%				

Mechanical Specification

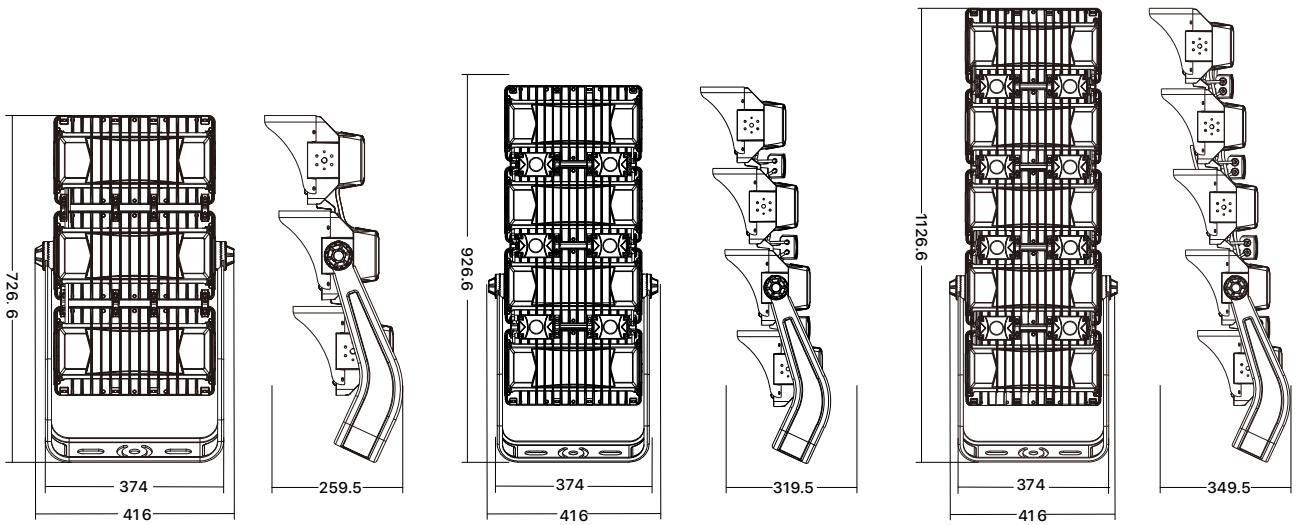
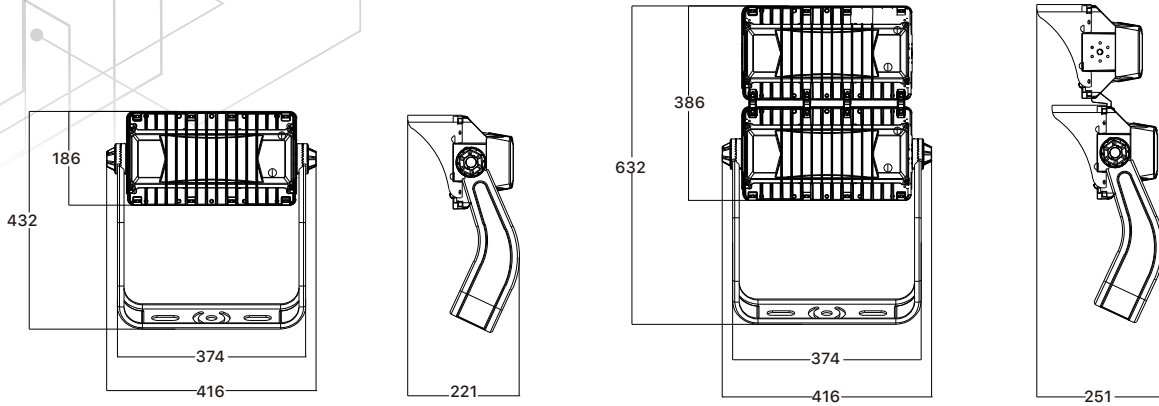
Body Material	Die Cast Aluminium Housing				
Housing Color	Silver				
Mounting Type	Bracket				
Mounting Location	High Mast				
Cable Length	300mm (input)				

Standards & Certificates

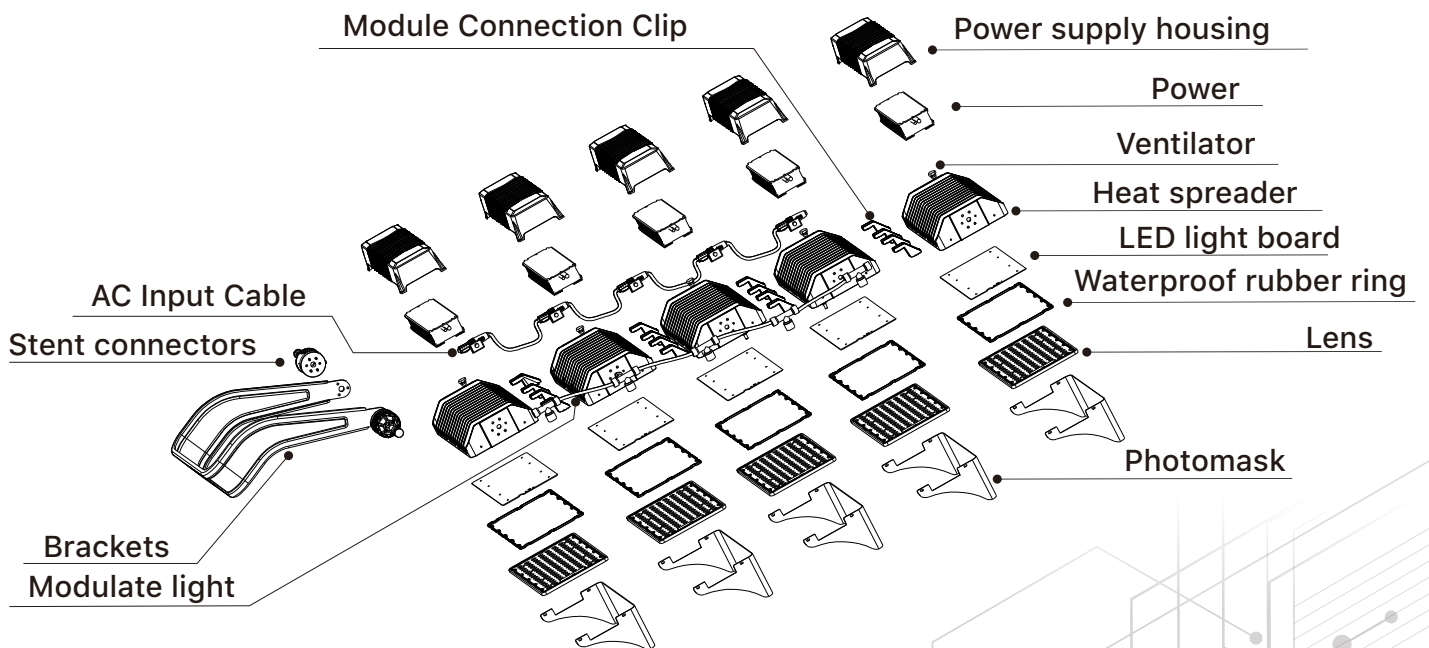
Ingress Protection	IP67				
IK	IK08				
Luminaire Type	C1 Anti-Corrosion				
Certificates	CE, ROHS				
Warranty	5 Years				

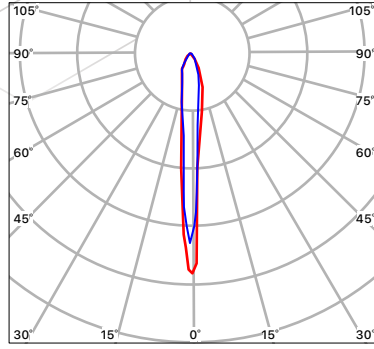
Dimension & Weight

Fixture Dimension (mm)	524.7*416*175.7	524.7*416*175.7	724.7*416*205.7	924.7*416*235.7	924.7*416*235.7
Fixture Weight (kg)	/	11.58	22.24	/	/
Packing	1PCS				
Carton Dimension(mm)	605*446*235	605*446*235	807*446*235	1010*446*235	1213*446*235
Gross Weight (Kg)	/	12.06	25.06	/	/

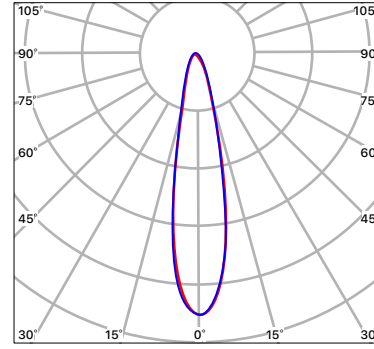


Structure Diagrams

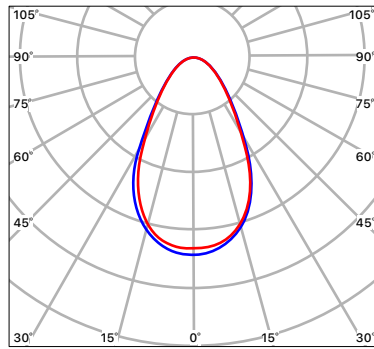




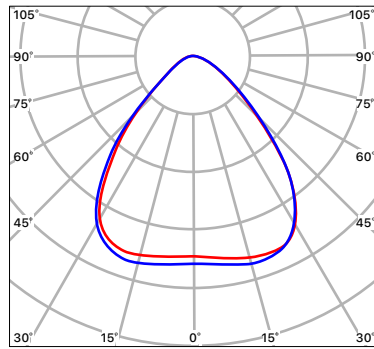
8°



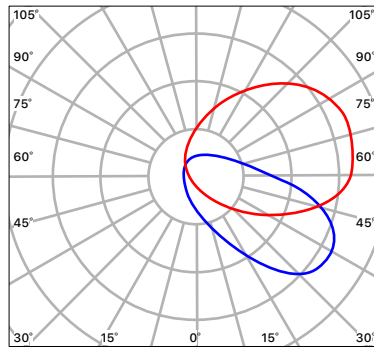
30°



60°

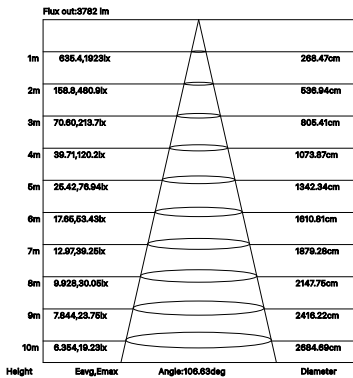


90°

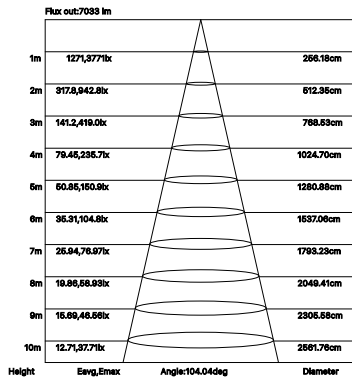


P60°

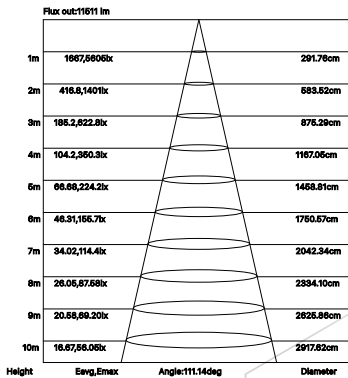
Luminous Efficacy 170Lm/W



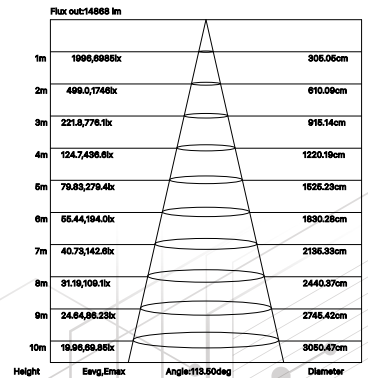
50W



100W



150W



200W