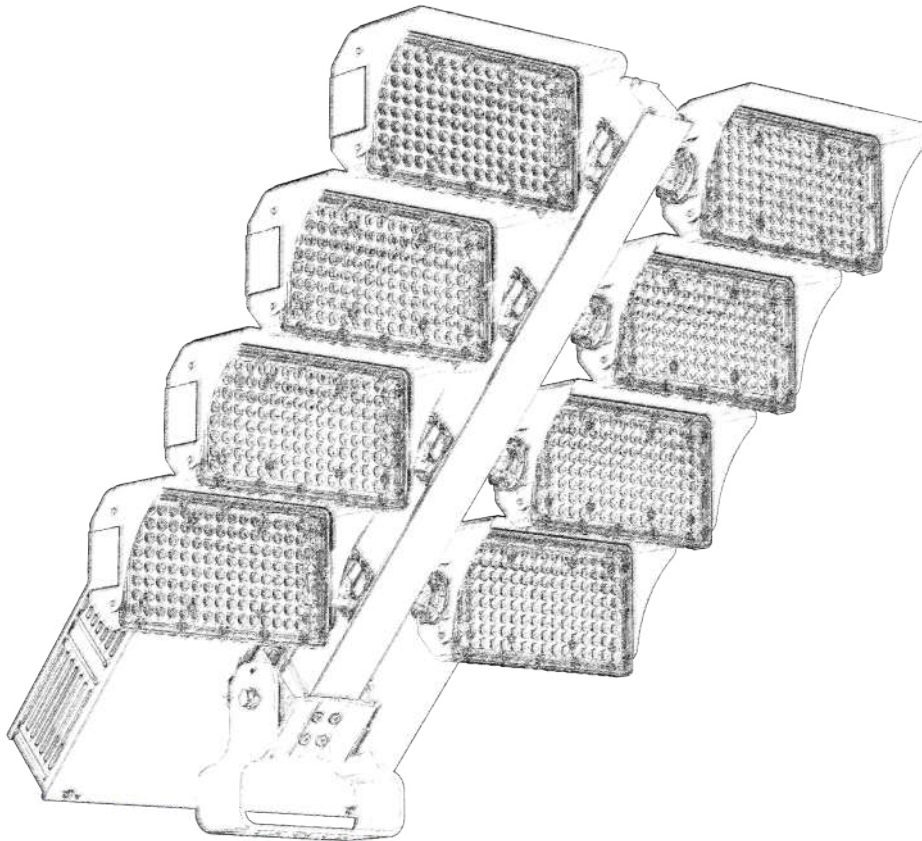


# TECHNICAL SPECIFICATION



<b>Specification Revision:</b>		
RevA0	Primary Released	Date: 15-Sep-2023
RevA1 or B0	Updated Notes	Date:
Approved By	Verified By	Drafted By
Mike Lee	Lista Lee	Tyler Hou

**Model** **FL23-JL-GW**



**Electrical Specification**

POWER	400W	500W	800W	1000W	1200W	1500W	1600W	2000W	2000W	2500W
LED Module QTY	2	2	4	4	6	6	8	8	10	10
Driver Brand	INVENTRONICS									
Input Voltage	100 ~ 277 VAC									
POWER FACTOR	>0.95									
Dimmable	N/A (Option of DALI / 0-10V / PWM)									
Intelligent Control	N/A (Option of Zigbee Wireless)									
SPD	4KV Line-Line, 6KV Line-Earth									
Working Temperature	-40°C - 70°C									

**Photometrical Specification**

Luminous Efficacy	170lm/W									
LED CHIP	PHILIPS 3030									
Color Temperature	Option of 4000K / 5000K/ 5700K									
Color Rendering Index	>80									
Beam Angle	Options of 8°/30°/ 60° / 90° / P60°									
THD	<20%									

**Mechanical Specification**

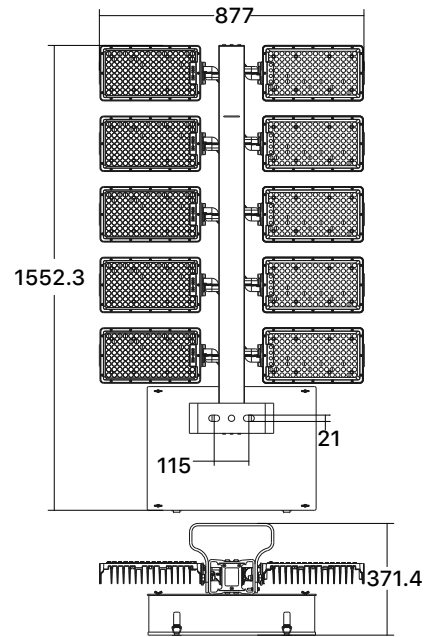
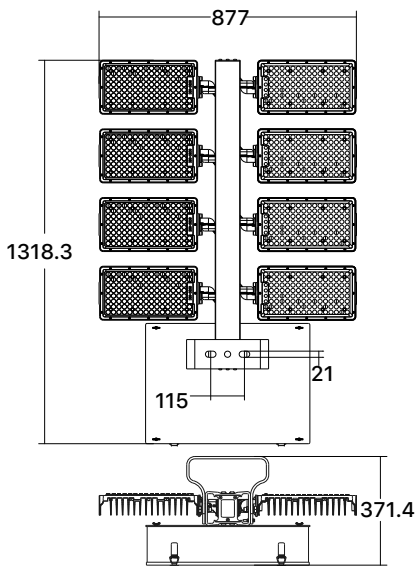
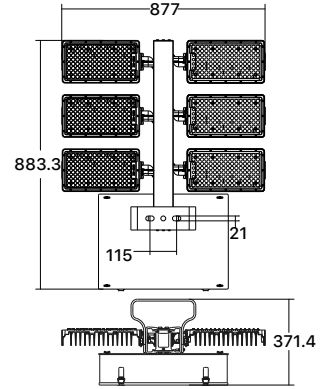
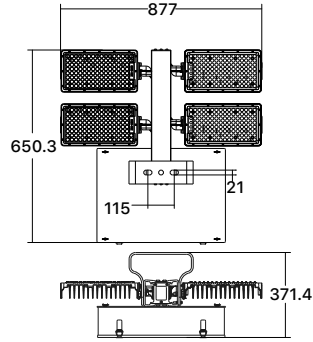
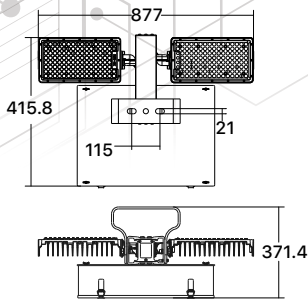
Body Material	Die Cast Aluminium Housing									
Housing Color	Silver									
Mounting Type	Bracket									
Mounting Location	High Mast									
Cable Length	300mm (input)									

**Standards & Certificates**

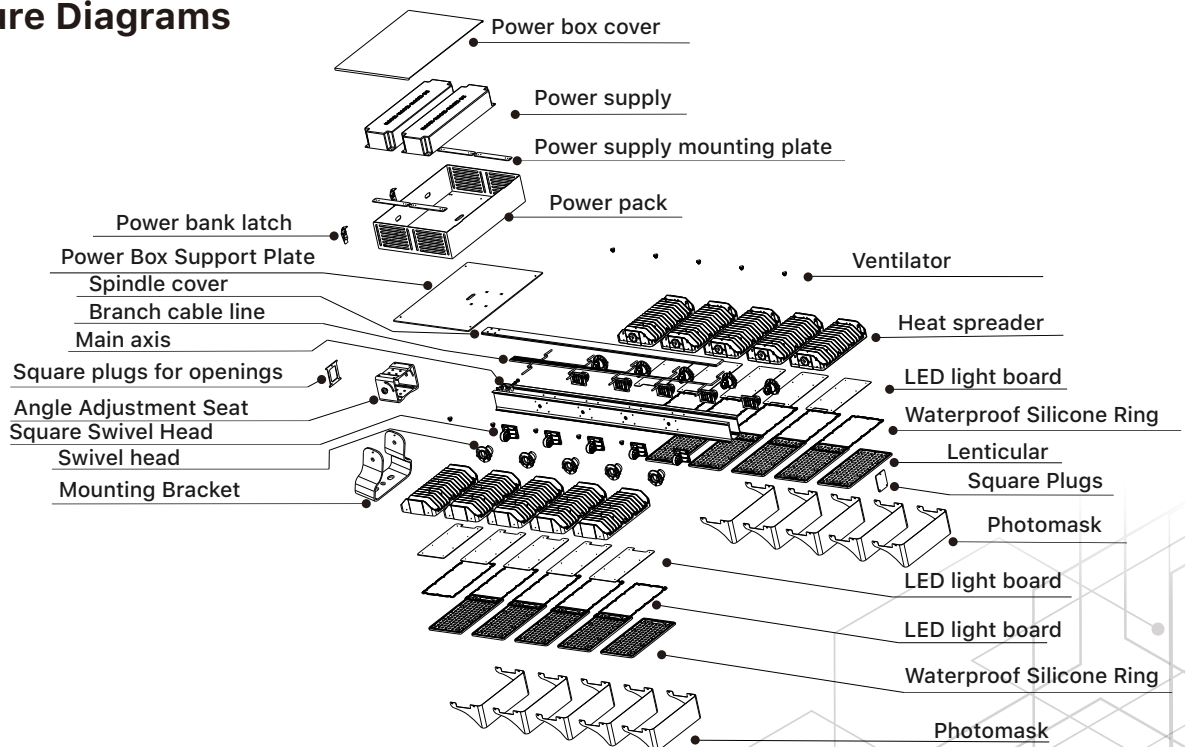
Ingress Protection	IP67									
IK	IK08									
Luminaire Type	C1 Anti-Corrosion									
Certificates	CE, ROHS									
Warranty	7 Years									

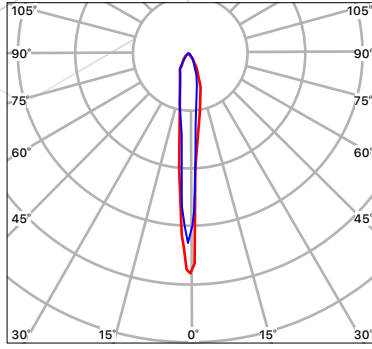
**Dimension & Weight**

Fixture Dimension (mm)	877*415.8*371.4	877*650.3*371.4	877*883.3*371.4	877*1318.3*371.4	877*1552.3*371.4
Fixture Weight (kg)	11.58	22.24	/	/	60.15
Packing	1PCS				
Carton Dimension(mm)	877*415.8*371.4	877*650.3*371.4	877*883.3*371.4	877*1318.3*371.4	877*1552.3*371.4
Gross Weight (Kg)	12.76	25.06	/	/	63.95

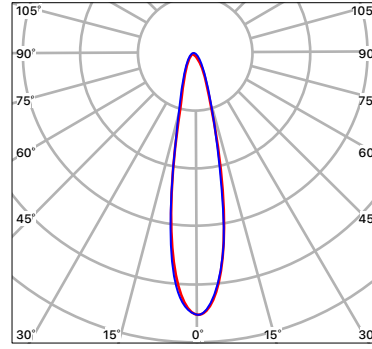


## Structure Diagrams

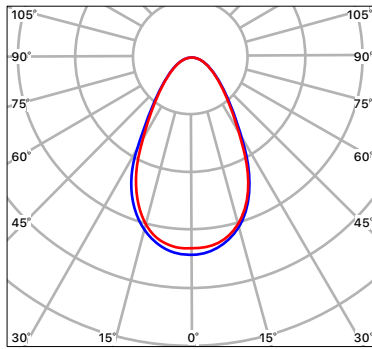




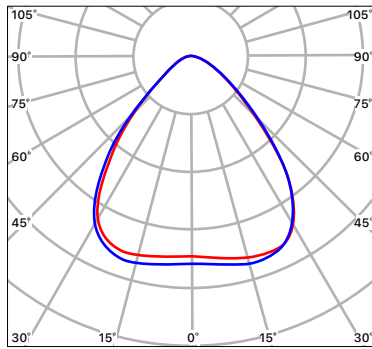
8°



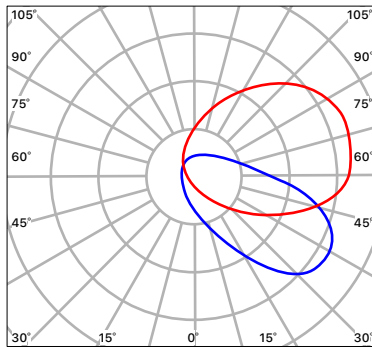
30°



60°

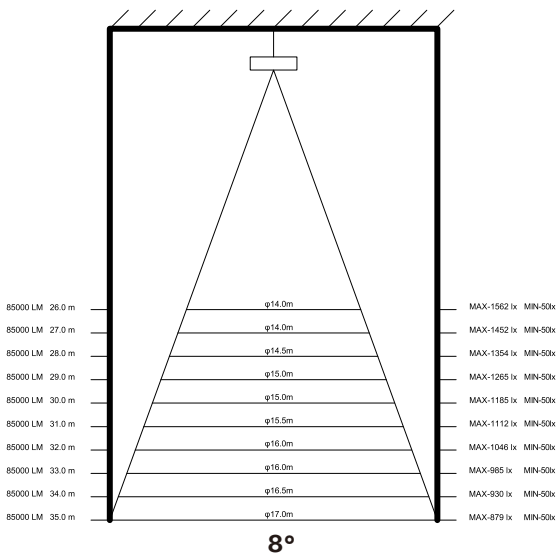


90°

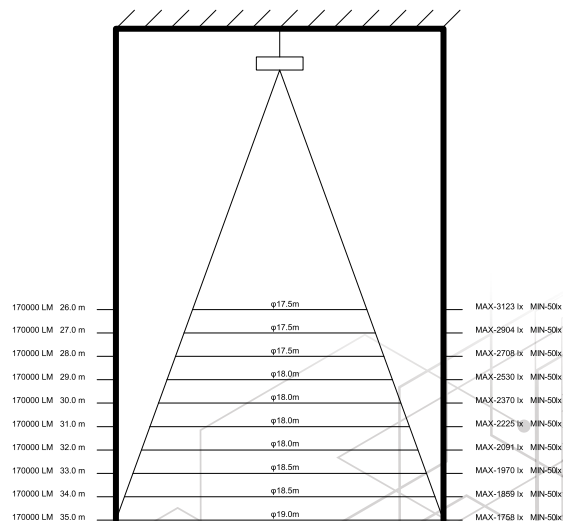


P60°

Luminous Efficacy 170Lm/W

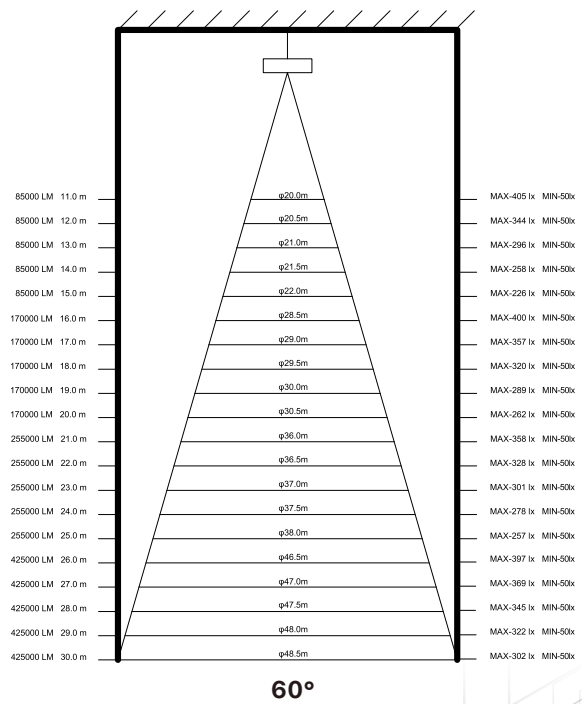
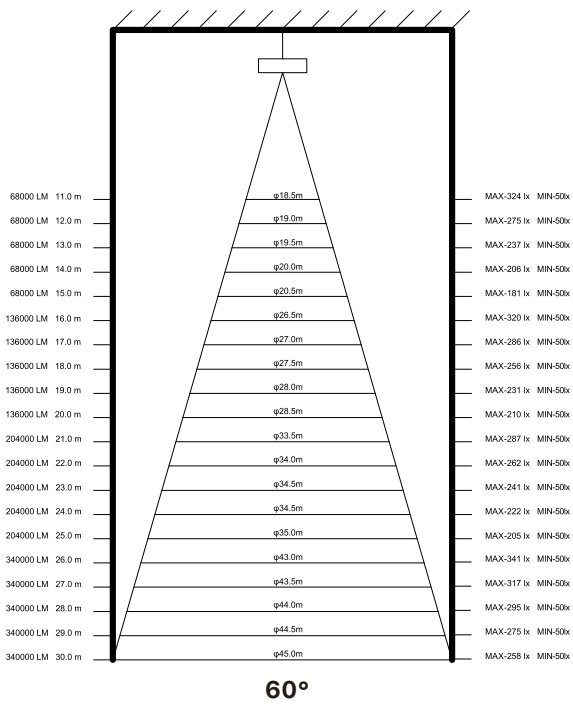
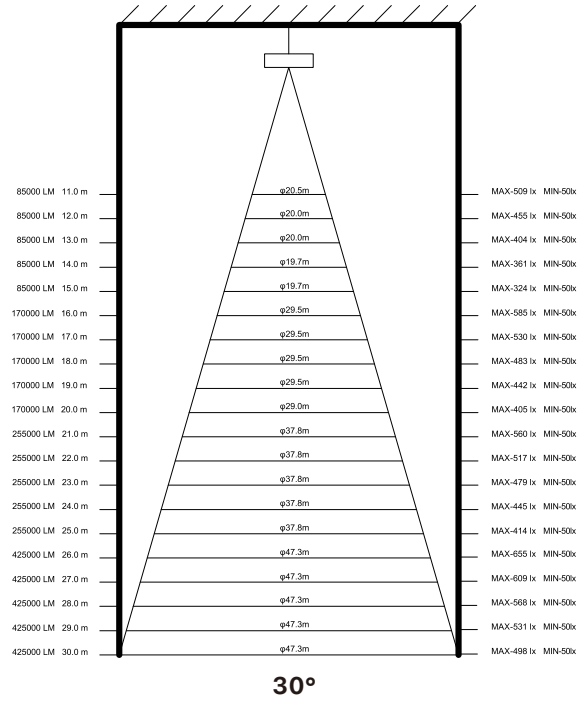
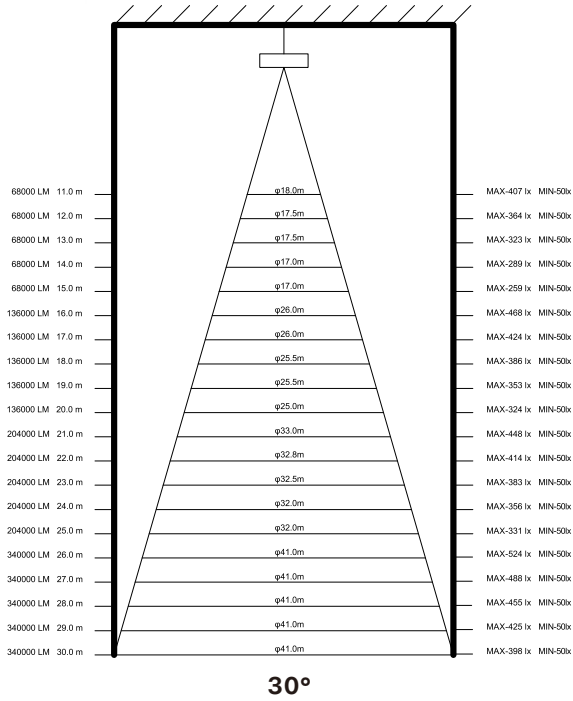


8°

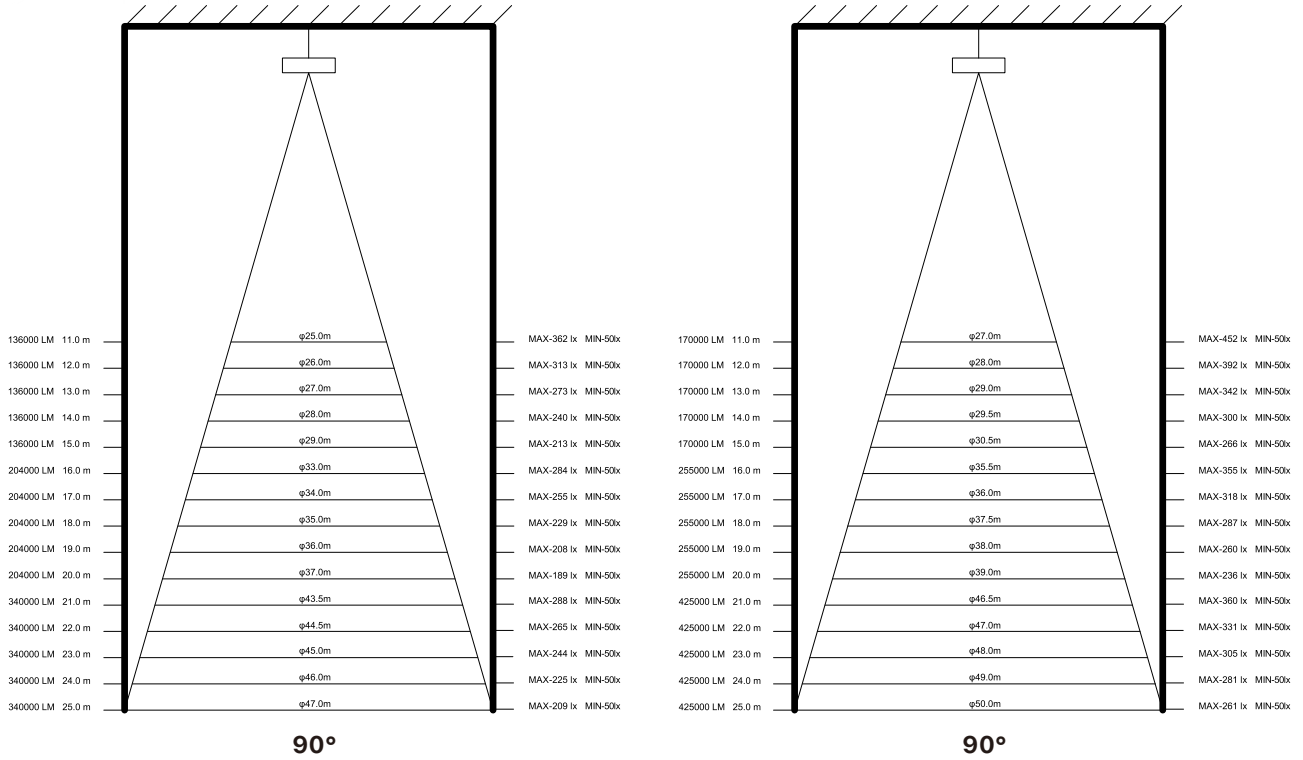


8°

Luminous Efficacy 170Lm/W



Luminous Efficacy 170Lm/W



90°

90°

